

## Contact us

### HACINT INTELLIGENCE TECHNOLOGY CO., LTD

Add: No.396, Bohai road, economic development zone,  
Hebi city, Henan province, China  
Mobile: 186-3922-9550  
Tel: 0392-3357155/6/9  
Fax: +86-392-3313264  
Email: sales@hacint.com.cn  
Website: <http://www.hacint.com.cn>

### HENAN HAIHONG SOFTWARE TECHNOLOGY CO., LTD

Add: No.396, Bohai road, economic development zone,  
Hebi city, Henan province, China  
Tel: 155-6562-0606/186-0392-0258  
Fax: +86-392-3313264  
Email: gaoxiangyang@hacint.com.cn

### DONGGUAN HAIHONG INTELLIGENCE TECHNOLOGY CO., LTD

Add: 5 Floor, D2 building, songhuzhigu industrial zone,  
Intersection of Songshanhu Avenue and Yuanfeng South Road,  
Dongguan city, Guangdong province, China  
Tel: 166-3926-9813/186-0392-0258  
Fax: +86-392-3313264  
Email: chengxiaoliang@hacint.com.cn

### KUNSHAN HAIHONG INTELLIGENT TECHNOLOGY CO., LTD

Add: No. 68, Changyang Road, High tech Development Zone, Kunshan,  
Jiangsu province, China.  
Tel: 166-3926-9821/189-3929-1579  
Fax: +86-392-3313264  
Email: wanghongwei@hacint.com.cn

Global service hotline  
**400-666-9765**

### CHANGCHUN TECHNOLOGY SERVICE CENTER

Add: Room 401, Unit 1, Building 52, Guanggu  
Avenue Coffee Town, Chaoyang District, Changchun  
Tel: 186-3921-6887  
Fax: +86-392-3313264  
Email: zhuxinwei@hacint.com.cn

### CHONGQING TECHNOLOGY SERVICE CENTER

Add: 5/F, 3/F, Building C, Zone 4, Automobile Industry  
Supporting Park, No. 2, Cuiyu Road, New North Zone,  
Chongqing  
Tel: 166-3926-9812  
Fax: +86-392-3313264  
Email: liuhuibiao@hacint.com.cn

### ASIA MARKETING SERVICES

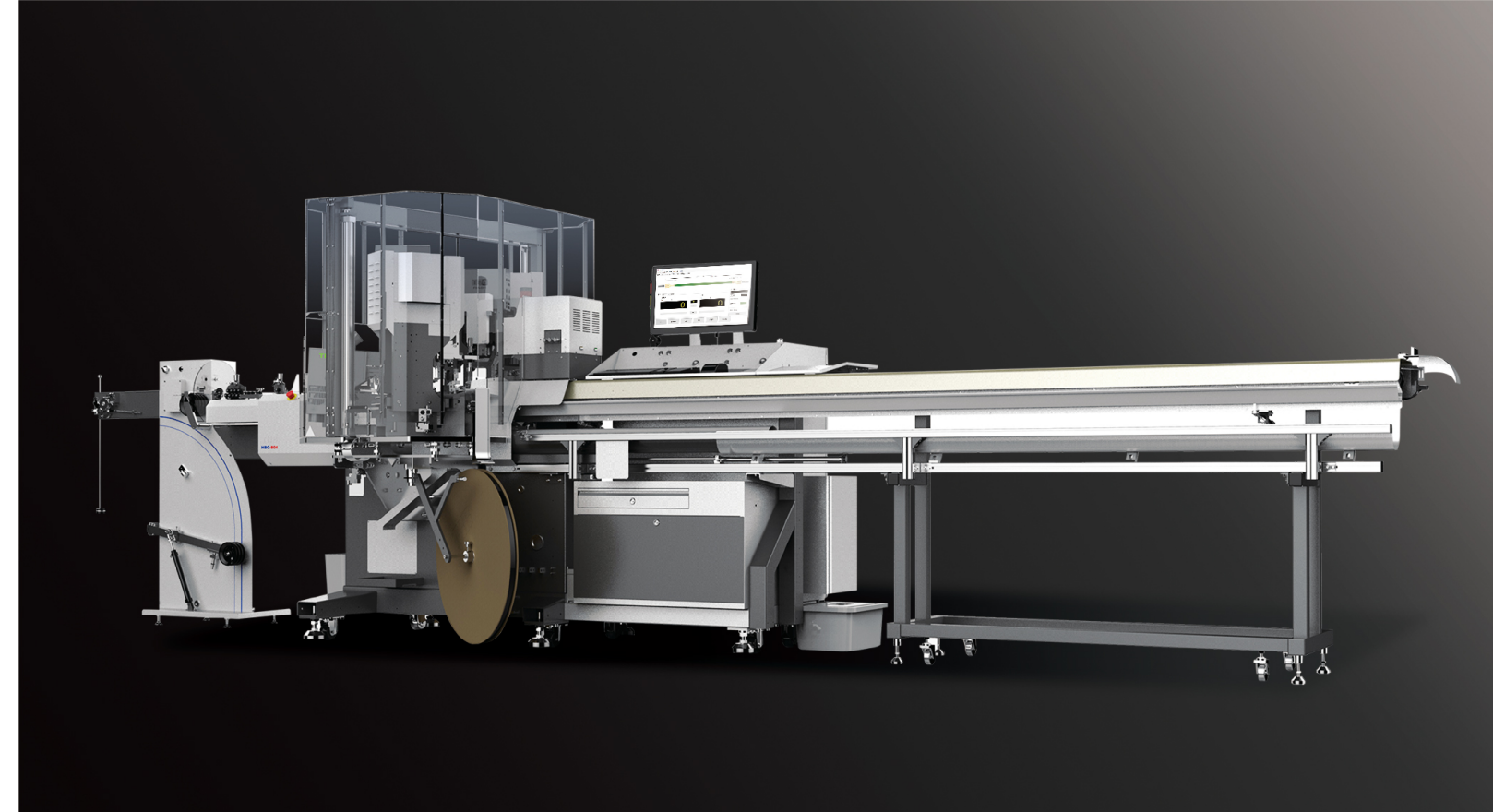
Add: No.396, Bohai road, economic development zone  
Hebi city, Henan province, China  
Tel: 166-3926-9815  
Fax: +86-392-3313264  
Email: mafei@hacint.com.cn

### AMERICA MARKETING SERVICES

Add: No.396, Bohai road, economic development zone  
Hebi city, Henan province, China  
Tel: 166-3926-9800  
Fax: +86-392-3313264  
Email: wangxin@hacint.com.cn

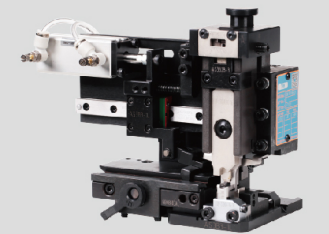
### EUROPE MARKETING SERVICES

Add: No.396, Bohai road, economic development zone  
Hebi city, Henan province, China  
Tel: 166-3926-9816  
Fax: +86-392-3313264  
Email: yangjilong@hacint.com.cn



**PRODUCT  
CATALOG**

Scan the code to get detailed information of the equipment model



Note: The contents of this sample have been verified in detail. Errors caused by proofreading, shooting and printing shall be subject to the actual situation. The product pictures shall be subject to the real object and the technical parameters shall be subject to the product description.  
Other products, logos and company names mentioned in the sample belong to each owner. Zhengzhou Depth Design Co., Ltd. provides design and printing support. Tel: 180 3712 356

**HACINT**

HACINT INTELLIGENCE TECHNOLOGY CO., LTD



## About us

With the mission of intelligent manufacturing, Hacint Intelligence Technology Co., Ltd. has been committed to becoming the trusted systematic solutions supplier for intelligent manufacturing since establishment in 1994. Hacint implements 3+2+X product strategy: crimping applicator series, harness equipment series, harness test series, software series, intelligent equipment series and equipment of other industry, which are widely used in automotive, appliances, 5G, 3C, medical and health care, electrical tool, photovoltaic industry and semiconductor industry.

Company Mission: For intelligent manufacturing

Company Vision: To be the trusted systematic solutions supplier for intelligent manufacturing

Business Philosophy: Honest and trustworthy, harmony and win-win

R&D Philosophy: Focus on customer and foster new products

Quality Policy: Excellence, Exceeding customers' expectations

Service Philosophy: Sincere, thoughtful, efficient, professional



Dongguan Haihong : R&D center in South China



Kunshan Haihong : R&D center in East China



Henan Haihong : Software Service

## Cooperative Partner





**AUTOMATIC CRIMPING EQUIPMENT**



HBQ-802E Fully Automatic Crimping Machine



HBQ-804 Fully Automatic Crimping Machine



HBQ-804H Fully Automatic Crimping Machine



HBQ-160 Crimping Machine 2.5T



HBQ-160H Crimping Machine 8T



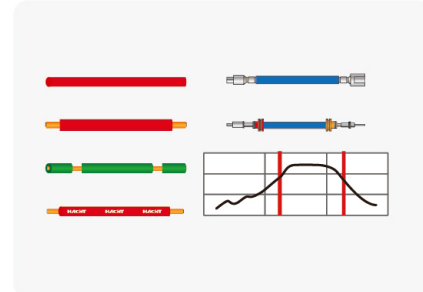
JSI/ESI Crimping Machine 4T/8T



HBQ-804P Fully Automatic Crimping Machine



HBQ-805 Fully Automatic Crimping Machine



NJSI/NESI Servo Crimping Machine 4T/8T



HBQ-P12 Crimping Machine 12T



HBQ-S18 Servo Crimping Machine 30T



HBQ-G501 Tin Dipping Machine



HBQ-G502 Automatic Middle Stripping Double Head Crimping Machine



FSA-001E Seal loading Module



HBQ-H15A Oil Hydraulic Crimping Machine 15T



HBQ-125A Hexagonal Crimping Machine 25T



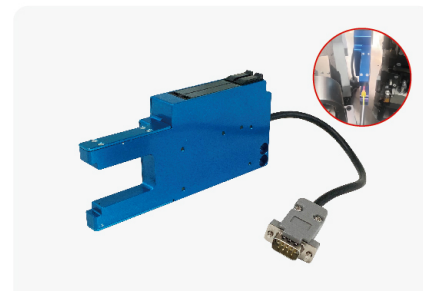
HBQ-K642 FPC Crimping Machine



HBQ-804-03A Wire Prefeeder



CVS-A30 Visual Inspection System



HBQ-054 Stripping & sealing Detection System



HBQ-2030JB-FPC Crimping Machine



Optional Accessories (CFM)



Paper winder

**CRIMPING EQUIPMENT**



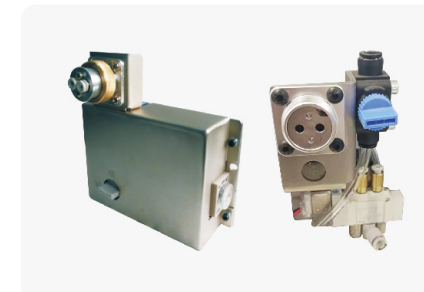
HBQ-2030JB/X4030JB/8030J Crimping Machine



HBQ-2040EB/X4040EB/8040E Crimping Machine



HBQ-P20/P30 Crimping Machine 20T/30T



Pneumatic Feeding Module



Shut Height Gauge



## STRIPPING AND CRIMPING EQUIPMENT



HBQ-208 Stripping & Crimping Machine



HBQ-210B Stripping & Crimping Machine



HBQ-210C Stripping & Crimping Machine



HBQ-210D Stripping & Crimping Machine



HBQ-210E Stripping & Crimping Machine



HBQ-210F Stripping & Crimping Machine



HBQ-109 Dual-wire Crimping Machine



HBQ-212A Stripping And Crimping Machine For Ethernet Cable

## MULTI-FUNCTIONAL EQUIPMENT



HBQ-902 Harness Processing Center



HBQ-G512 Fully Automatic Double-head Housing Insertion Machine



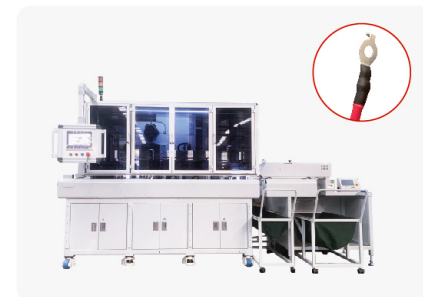
HBQ-G515 Fully Automatic Double-head Housing Insertion Machine(V2.0)



HBQ-903 Processing Center For Control Cabinet Cable



HBQ-922 Dual-wire Twisting Center



HBQ-180B Processing Center



HBQ-910-S Automatic Processing Machine For Fakra Cable



HBQ-910-H Automatic Processing Machine For Fakra Cable



HBQ-212 Automatic Processing Machine For Ethernet Cable



HBQ-912 Automatic Processing Machine For Ethernet Cable



HBQ-912 HMTD Automatic Processing Machine For Ethernet Cable



HBQ-961 Automatic Processing Machine For New Energy Harness



HBQ-428B New Energy Wire Processing Equipment

## CUTTING AND STRIPPING EQUIPMENT



HBQ-433 Cutting Machine



HBQ-041C Automatic Stripping Machine



HBQ-421 Automatic Stripping Machine Φ6-25mm



HBQ-423 Automatic Stripping Machine Φ2-12.5mm



HBQ-429 Stripping Machine maxΦ6mm



HBQ-430 Semi-automatic Stripping Machine For Coaxial Wire φ0.5~8mm





HBQ-422A Rotary Stripping Machine Φ3-18mm



HBQ-426 Rotary Stripping Machine Φ5-30mm



HBQ-425A Shielding Braid Cutting Machine



HBQ-373 Heat-shrink Machine



HBQ-374A Heat-Shrink Machine



HBQ-068 Twisting Machine



HBQ-225B New Energy Cable Processing Machine



HBQ-224 New Energy Cable Processing Machine



HBQ-068JD Twisting Machine



HBQ-360 Twisting Machine



HBQ-361 Four-wire Twisting Machine

SEALING EQUIPMENT



FSM-001 Seal Loading Machine



WPP Seal Applicator



FSY-001 Seal Deoiler



HBQ-362 Point Twisting Machine



HBQ-067 Tape Bundler



HBQ-340 Tape Bundler



HBQ-Z209B Blind Seal Insertion Machine



HBQ-Z215B Plug Insertion Machine



HBQ-320 Cable Tie Gun W: 1.9-7.2mm



HBQ-321 Cable Tie Gun W: 2.8-12.5mm



HBQ-Z211 Buckle Installation Machine

POST HARNESS PROCESS EQUIPMENT



HBQ-371 Heat-shrink Machine



HBQ-371DZ Heat-shrink Aligning Module



HBQ-372 Heat-shrink Machine



TLZ-4 Assembly Line



TLZ-5 Assembly Line

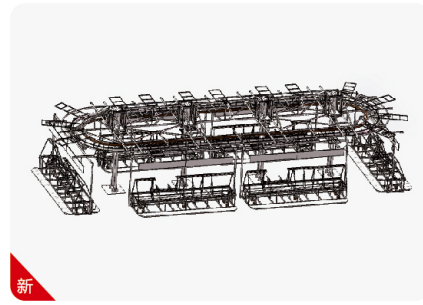


TLZ-6 Assembly Line





TLZ-7 Assembly Line



TLZ-8 Assembly Line



HBQ-G401B Torque Workstation(Visual Version)



HBQ-G420 Crimping Machine



HBQ-G420A Crimping Machine



HBQ-K637A Tape Cutting Machine

■ ULTRASONIC WELDING EQUIPMENT



HBQ-K701 Ultrasonic Welding Machine



HBQ-K711 Ultrasonic Welding Machine

■ PHOTOVOLTAIC ENERGY EQUIPMENT



HBQ-G102 Nut Tightening Machine For Photovoltaic Energy Wire Harness



HBQ-G203 Cutting & Riveting & Twisting Machine For Photovoltaic Wire



HBQ-G205 Photovoltaic Connector Automatic Assembly Machine

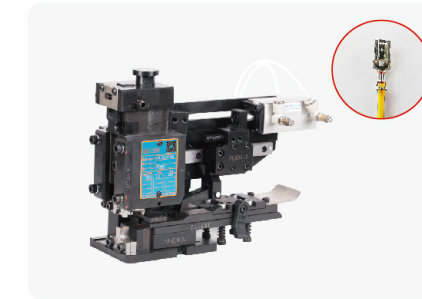


HBQ-G207 Cutting & Riveting & Twisting Machine For Photovoltaic Wire

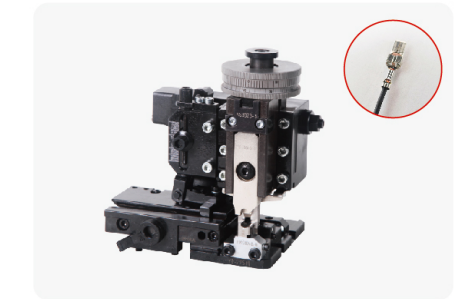
■ APPLICATORS



YJM-AFS300I Crimping Applicator



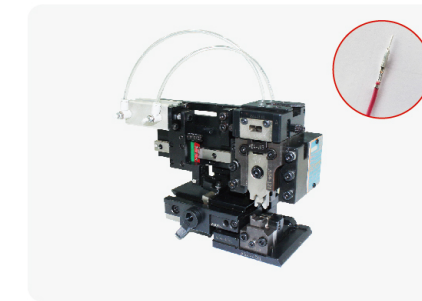
YJM-AFE300I Crimping Applicator



S3D Crimping Applicator



GS3M2 Crimping Applicator



AS4A Crimping Applicator



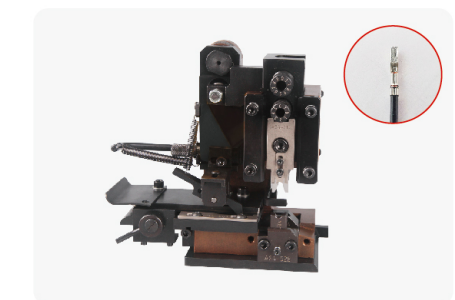
AE4A Crimping Applicator



XS4 Crimping Applicator



E4 Crimping Applicator



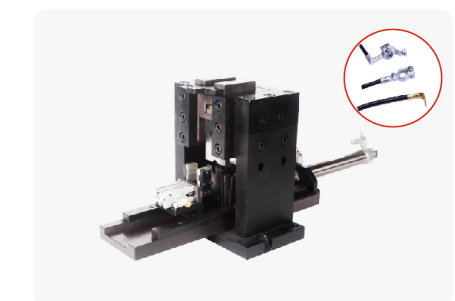
YJM-4XA Applicator



YJM-100 Applicator



GS3M4 Crimping Applicator



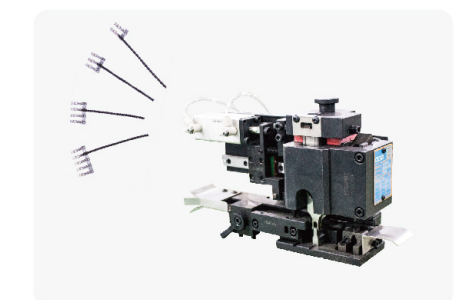
CLM Battery Terminal Crimping Applicator



AFS300B-S Sensing Applicator

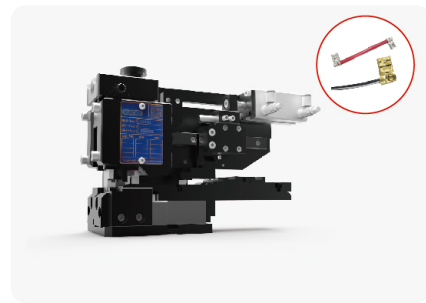


AFS300K Crimping Applicator

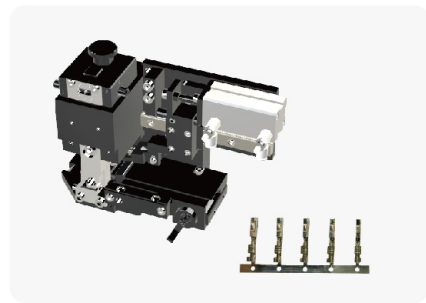


AFTCA Counting Crimping Applicator

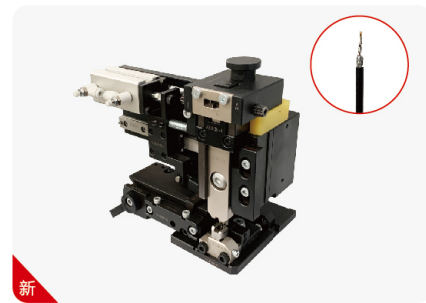




NEFTCA-X Flag Terminal Crimping Applicator



ADS Crimping Applicator



YIM-AFS300M Crimping Applicator



WHCA Crimping Applicator



WEARING PARTS(BLADES)



ESTA Crimping Applicator



FPCA Four Points Crimping Applicator



SPCA Six Points Crimping Applicator



CS Test Table



HCS6000 Test Table



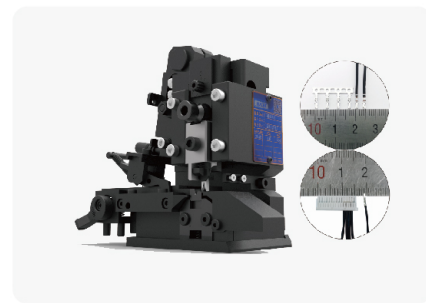
CSA Cable Tie Test Table



RFPCA Crimping Applicator



EHCA Crimping Applicator



NANO Crimping Applicator (S4B)



CSB Visual Test Table For Electric Box



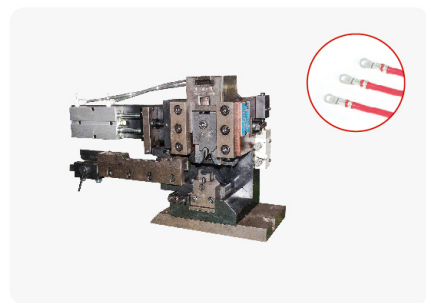
HBQ-G421 Laser Height & Visual Test Table



HBQ-G422 Visual Test Table



DYM-C Crimping Applicator



LCMS Heavy Duty Crimping Applicator



HCA Crimping Applicator



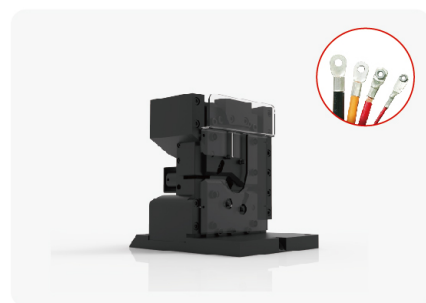
CSB-TXF100 Visual Test Table for FAKRA Cable



GZ-0012 Air-leakage Test Table



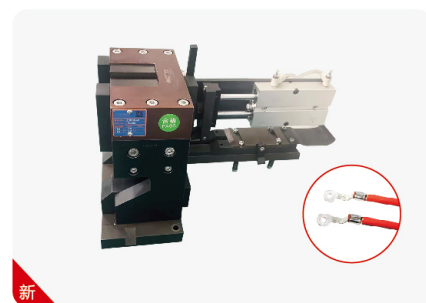
HBQ-350 Cross Section Analysis Center



NHCA Crimping Applicator



HSPCA Crimping Applicator



LCME Crimping Applicator



HBQ-052A Cross Section Analysis Center



HBQ-053 Cross Section Analysis Center



HBQ-061C/064/065/065-E Pull Force Tester





HBQ-411 Pull Force Tester



HBQ-412 10kN Pull Force Tester



HBQ-413 Micrometer Tension Tester



HBQ-401 Cable Tie Gun Tension Tester

TESTER MODULES



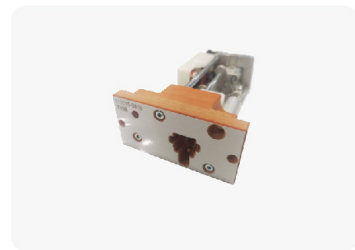
Airtight Module



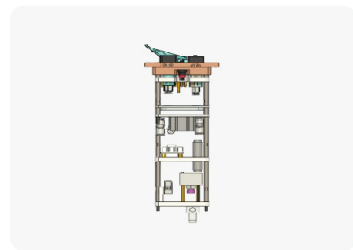
Push Back Module



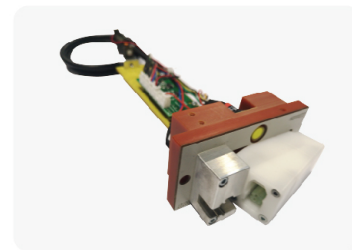
Convex Locking Plate Module



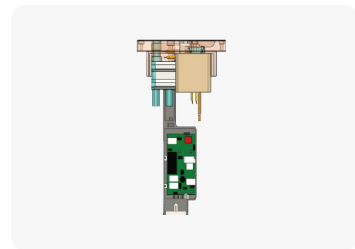
Dedicatedusb Module



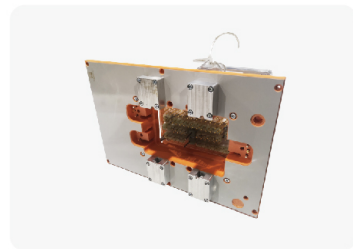
Above 40 Pin Ecu Module



Horizontal Structure Module

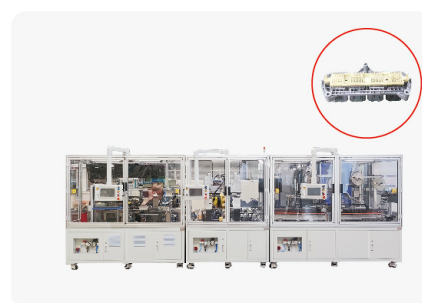


Concave Locking Plate Module

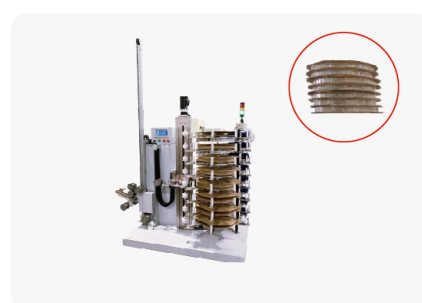


Fuse Box Module

INTELLIGENT EQUIPMENT EQUIPMENT OF OTHER INDUSTRY



HBQ-K612 168W BTB Connector Machine



HBQ-Z108 8-DISK Horizontal Terminal Receiver

NEW ENERGY HARNESS SOLUTIONS

NEW ENERGY CRIMPING EQUIPMENT



HBQ-P20/P30 Crimping Machine 20T/30T



HBQ-P12 Crimping Machine 12T



HBQ-S18 Servo Crimping Machine 30T



HBQ-H15A Oil Hydraulic Crimping Machine 15T



HBQ-125A Hexagonal Crimping Machine 25T

NEW ENERGY CRIMPING APPLICATOR



FPCA Four Points Crimping Applicator



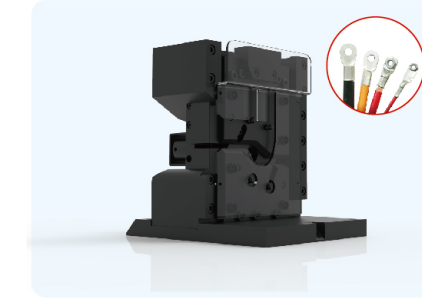
SPCA Six Points Crimping Applicator



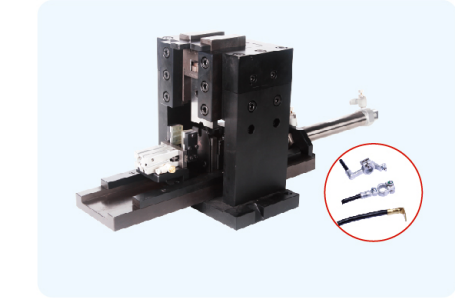
EHCA Crimping Applicator



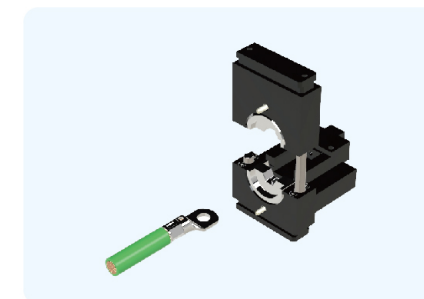
HCA Crimping Applicator



NHCA Crimping Applicator



CLM Battery Terminal Crimping Applicator



WHCA Crimping Applicator



SEALING EQUIPMENT



HBQ-K701 Ultrasonic Welding Machine



HBQ-K711 Ultrasonic Welding Machine

NEW ENERGY CUTTING&STRIPPING EQUIPMENT



HBQ-421 Automatic Stripping Machine Φ6-25mm



HBQ-423 Automatic Stripping Machine Φ2-12.5mm



HBQ-433 Cutting Machine



HBQ-422A Rotary Stripping Machine Φ3-18mm



HBQ-425A Shielding Braid Cutting Machine



HBQ-426 Rotary Stripping Machine Φ5-30mm

NEW ENERGY EQUIPMENT FOR DOWNSTREAM PROCEDURE



HBQ-373 Heat-shrink Machine



HBQ-Z211 Buckle Installation Machine

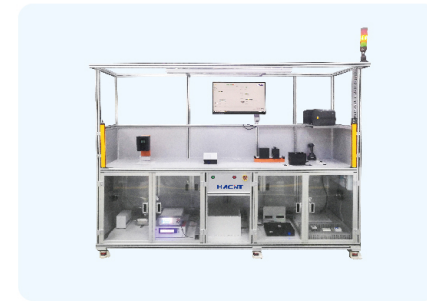


HBQ-G420 Crimping Machine

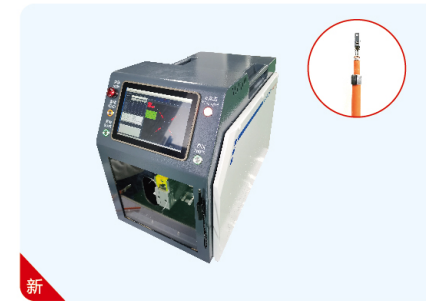


HBQ-G420A Crimping Machine

EV TESTING EQUIPMENTS



HCS6000 Test Table



HBQ-G422 Visual Test Table



GZ-0012 Air-leakage Test Table



HBQ-411 Pull Force Tester



HBQ-412 10kN Pull Force Tester

NEW ENERGY HARNESS MULTIFUNCTIONAL EQUIPMENT



HBQ-109 Dual-wire Crimping Machine



HBQ-P20Z Crimping Machine



HBQ-126 Crimping Machine



HBQ-225B New Energy Cable Processing Machine



HBQ-224 New Energy Cable Processing Machine



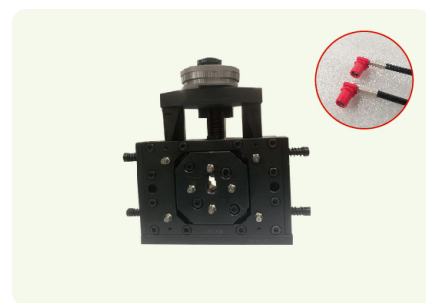
HBQ-428B New Energy Wire Processing Equipment



HBQ-961 Automatic Processing Machine For New Energy Harness



### FAKRA HSD AND EARTHNET HARNESS SOLUTIONS



RFPKA Crimping Applicator



HBQ-430 Semi-automatic Stripping Machine For Coarial Wire φ0.5~8mm



HBQ-041C Automatic Stripping Machine



HBQ-210C Stripping & Crimping Machine



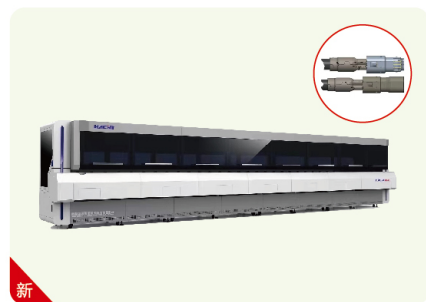
HBQ-212 Automatic Processing Machine For Ethernet Cable



HBQ-212A Stripping And Crimping Machine For Ethernet Cable



HBQ-912 Automatic Processing Machine For Ethernet Cable



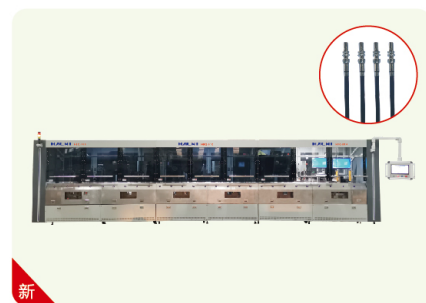
HBQ-912 HMTD Automatic Processing Machine For Ethernet Cable



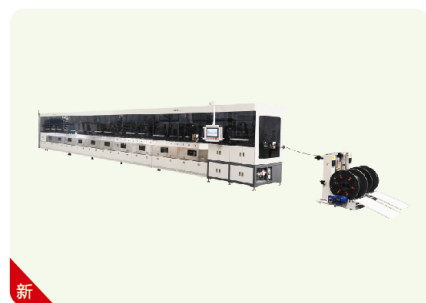
CSB-TXF100 Visual Test Table for FAKRA Cable



HBQ-910B Fakra Harness Connector Assembly Equipment



HBQ-910-S Automatic Processing Machine For Fakra Cable



HBQ-910-H Automatic Processing Machine For Fakra Cable



### SOLUTIONS FOR PHOTOVOLTAIC ENERGY



HBQ-G102 Nut Tightening Machine For Photovoltaic Energy Wire Harness



HBQ-G203 Cutting & Riveting & Twisting Machine For Photovoltaic Wire



HBQ-G205 Photovoltaic Connector Automatic Assembly Machine



HBQ-G207 Cutting & Riveting & Twisting Machine For Photovoltaic Wire



HBQ-G420 Crimping Machine



# INTELLIGENT SOFTWARE

## HMESINTELLIGEN MANUFACTURING EXECUTION SYSTEM

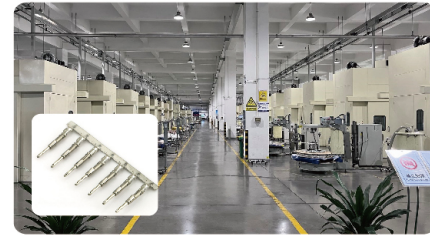
### ENGAGED INDUSTRIES



Wire Harness



Injection Molding



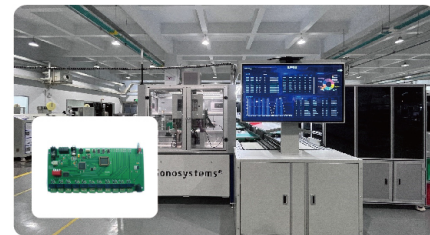
Stamping



Cables



Machining



Electronics

### FUNCTION

#### Equipment Management

Equipment ledger, spotinspection and maintenance, data acquisition

#### Applicator Management

Storage record, maintenance reminder applicatoraccount

#### Process Management

Process BOM, processprocedure, processparameter

#### Production Management

Order scheduling, taskassignment, progress monitoring

#### Lighting Management

Problem feedback, upgradere minder, statistical analysis

#### Quality Control

Inspection items, inspection records, repair processing

#### Integrated Management

ERP integration, WMS integration, equipmentintegration

#### Report Management

Production report, exceptionreport, quality inspection report

### CHARACTERISTICS

#### ● Intelligent production scheduling

Process balance Resource optimization Lean manufacturing

#### ● System integration

Real-time communication Module Fusion Data sharing

#### ● Traceability of the full process

Raw material traceability Product traceability Quality traceability

#### ● Automatic equipment acquisition

Real time acquisition Status monitoring Data transparency

#### ● Multi-end synergy

Rapid expansion Efficient collaboration Quick operation

#### ● Report Visualization

Visual display Multidimensional analysis Status interaction



Scan the code to get detailed information of the equipment model







**HACINT**

**Excellence, Exceeding customers'  
expectations**